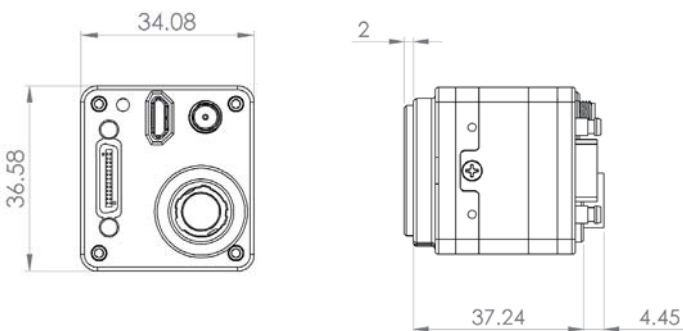
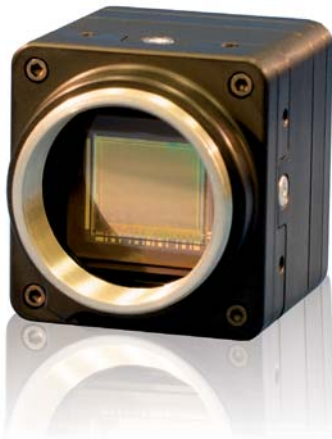


Quantum Efficiency Curve shows >60% at peak



Mechanical Dimensions for XL Camera Body (in mm)

Technical Specifications

Camera	Specifications
Resolution	1280 × 1024 Pixels
Pixel Pitch	9.7 μm × 9.7 μm
Well Capacity	> 25000 e-
Dynamic Range	> 60 dB
Read Noise	< 4e- median at frame rates up to 100 Hz
Quantum Efficiency	> 60% at peak
Frame Rate	Up to 100 Hz with full field resolution
Image Lag	< 0.1%
Shutter Mode	Rolling
Features	
Imaging Startup Time	< 5 sec
Image Correction	Bad pixel replacement and non-uniformity correction (NUC)
Gain Control	Automatic (AGC), manual
High Dynamic Range	Two knee points
Digital Zoom	Up to 4X
Contrast Enhancement	Histogram stretching, Histogram equalization
Housing	
Lens Mount	CS-mount
Dimensions (excluding connectors) (Width × Height × Depth)	34.1 × 36.6 × 37.4 mm
Weight	85 g
Input/Output	
Digital Video Output	10-bit CameraLink® Compatible
Analog Video Output	NTSC/PAL
Communications	Serial via CameraLink® Compatible or USB
Synchronization	Analog output strobe reference
Environmental and Power	
Operating Temperature	-40°C to 60°C
Storage Temperature	-50°C to 80°C
Input Voltage	USB or 5 to 15 VDC
Power	< 1.8 W (typical)

NOCTURN XL Camera is powered by the Lynx CMOS imaging sensor, optimized for low light level imaging.



The Lynx CMOS imaging sensor is the first operational sensor specifically designed with Night Vision, Homeland Security and Surveillance applications in mind. This fully solid-state CMOS sensor provides excellent imaging across varying light conditions, from daylight to low-light levels - such as those found during a quarter-moon. The Lynx CMOS imaging sensor provides full SXGA resolution at 100 frames per second, with < 4e- read-out noise and without cooling.

PHOTONIS

NOCTURN

PHOTONIS

Lahoux*Optics*
Specialist in nightvision

Stephensonstraat 47

2014 KC Haarlem

The Netherlands

Tel: +31 (0)23 55 14 678

Fax: +31 (0)23 55 14 679

Email: info@lahoux.nl

Web: www.lahousoptics.nl

© Copyright 2012, PHOTONIS USA, Inc. All Rights Reserved.

The information furnished is believed to be accurate and reliable, but is not guaranteed and is subject to change without notice. No liability is assumed by PHOTONIS for its use. Performance data represents typical characteristics as individual product performance may vary. Customers should verify that they have the most current PHOTONIS product information before placing orders. No claims or warranties are made as to the application of PHOTONIS products. Pictures may not be considered as contractually binding. This document may not be reproduced, in whole or in part, without the prior written consent of PHOTONIS.

NOCTURN-XL-DEC2012-1